

INCREASING FAN PERFORMANCE

INTRODUCTION

Industrial processes and plant-ventilation systems often need more air than originally designed. Increased production requirements, process changes, and facility renovations are a few of the major reasons. Additionally, the lack of adequate maintenance over time can negatively impact system airflows. This letter discusses several procedures that can increase airflow.

CHECK THE FAN'S MECHANICAL CONDITION

Often airflow can be increased by adhering to proper fan maintenance procedures as outlined in fan installation and maintenance literature.

Properly aligned and tightened V-belt drives. See Figure 1. Fan speed can decrease by as much as 10% to 20% when belts are too loose, with a corresponding loss of airflow.

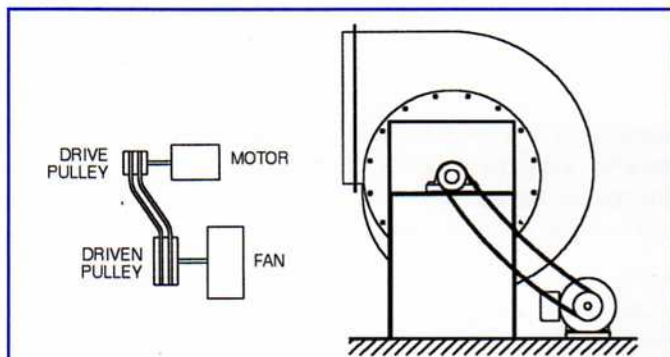


Figure 1 - Poor Drive Alignment and Belt Tension

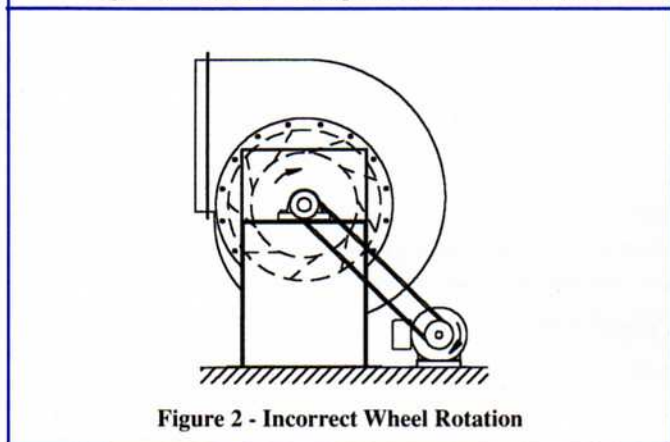


Figure 2 - Incorrect Wheel Rotation

Clean airstream surfaces. A fan cannot perform as designed if the air flow surfaces are distorted by contaminants. Even in large fans, a sixteenth of an inch of build up can reduce performance.

Check fan rotation. See Figure 2. Centrifugal fans will move some air even when running backwards. While some types would use so much horsepower they would trip circuit breakers, other designs could run for years without being detected.

Check wheel and inlet cone alignment. See Figure 3. Components may be out of position due to routine cleaning or painting or the wheel could have shifted during shipment. For backward inclined fans, the relation of wheel to inlet cone is very critical. Even a quarter of an inch can have a major impact. The fan's installation and maintenance literature shows the proper positioning of the wheel to the inlet cone ("A" dimension) or inlet plate.

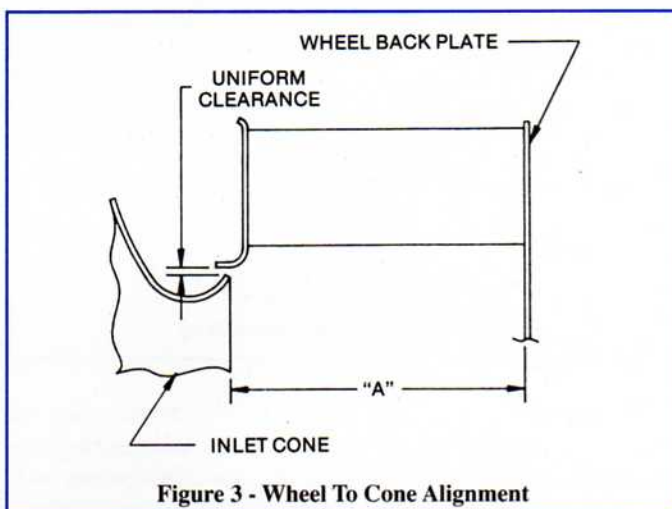


Figure 3 - Wheel To Cone Alignment

INSPECT THE SYSTEM

The design and maintenance of the system plays a large role in achieving the overall desired performance. Visual inspections often reveal some easily rectified problems that can significantly impair performance.

Check for clogged filters or coils. If the system has not been properly maintained, clogged filters or obstructed coils will reduce airflow. The greater the obstruction, the greater the loss in airflow.

Eliminate System leaks. Any leaks in the ductwork will contribute to reduced performance, especially leaks around plenum bulkheads that can lead to recirculation of air. Worn flexible connectors are a common source of leaks and should be inspected regularly.

Verify that dampers are installed correctly and operating properly. If the damper linkage is out of adjustment, the damper may not be opening completely, thereby reducing performance. If inlet dampers are used, make sure they are installed so that the air is pre-spun in the same direction as wheel rotation. See Figure 4. If the air distribution system employs balancing dampers, make sure they are set properly.

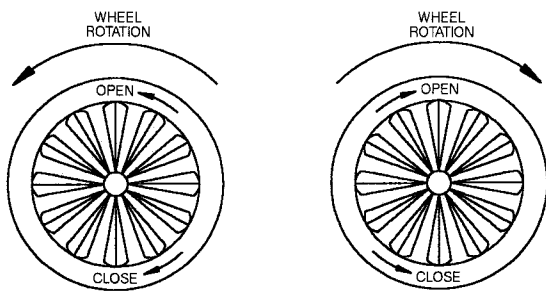


Figure 4 - Inlet Damper/Fan Wheel Rotation

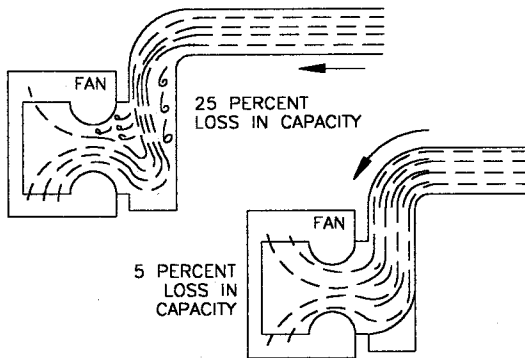


Figure 5 - Fan Inlet Connections

For all dampers, make sure there is sufficient clearance for the blades to open and close completely without hitting the ductwork or other system components. Last, for systems with either pneumatic or electric controls, make sure damper actuators are operating properly.

Look for system effect. Sharp changes in the direction of air-flow at either the fan inlet or outlet will disrupt the flow through the fan and impair performance. If it is impossible to straighten the ductwork entering and leaving the fan, the use of inlet boxes and turning vanes can minimize performance losses as shown in Figure 5. For a more detailed explanation, refer to Engineering Letter 5, Fan Performance - The System Effect.

INCREASE THE FAN SPEED

One of the easiest solutions to low airflow problems is speeding up the fan. While airflow is increased by speeding up the fan, so too are static pressure, noise, and power requirements. Figure 6 presents this graphically. Therefore, while increasing the fan's speed is an easy procedure with low first cost, the additional operating expense over time makes it the most costly solution. See Engineering Letter 2 - Fan Laws and System Curves, for additional information.

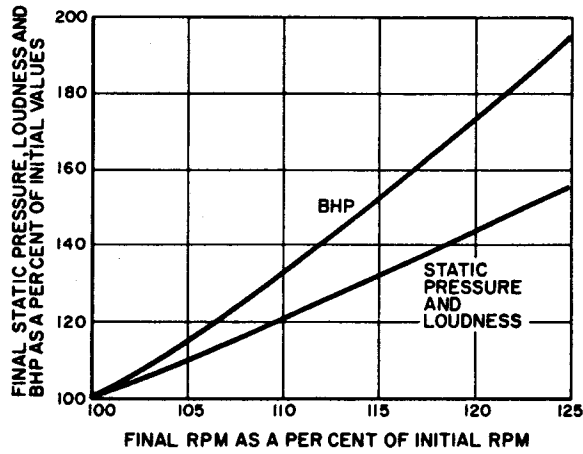


Figure 6 - The effects on brake horsepower, static pressure and loudness when fan speed is increased.

When increasing fan speed, it is necessary to check the maximum safe speed of the fan and make sure the motor is capable of the horsepower required to run the fan at the new speed. **Never run a fan beyond its maximum safe speed.**

ADD OR REPLACE FAN EQUIPMENT

On a first-cost basis, adding or replacing fan equipment is the most costly alternative. However, on a life-cycle-cost basis, considering operating and maintenance expense, it can be the least expensive, as compared to increasing the speed of an existing fan.

Sometimes a second fan may be added, either in series or parallel with the original, although it may be more cost effective to simply upgrade the system with a new fan capable of the required airflow and pressure.

Adding another fan in series will increase the airflow because of the additional pressure. The operating point of the new system moves further out/up the system curve. Where duct size is adequate to handle the desired amount of air but the existing fan doesn't provide sufficient pressure, a second fan in series may be the best solution. However, make sure the ductwork can handle the increase in pressure.

Adding another fan in parallel with the first will increase airflow due to the combined capacities. Because capacities are being combined instead of pressures, a greater increase in airflow will result for a given system. However, system pressures will also increase and caution is required to avoid the unstable operating area of the combined fan system.

CONCLUSION

When more air is required it is important to investigate the system on a step-by-step basis, considering the least expensive possibilities first. For existing systems that seem to have lost performance, fan and system maintenance is the place to start. Often, simply improving the efficiency of existing components will suffice. For systems that require greater airflow and/or pressure, increased fan speed is generally the first alternative. However, when large increases in performance are required, there may be no alternative but to purchase a larger fan.